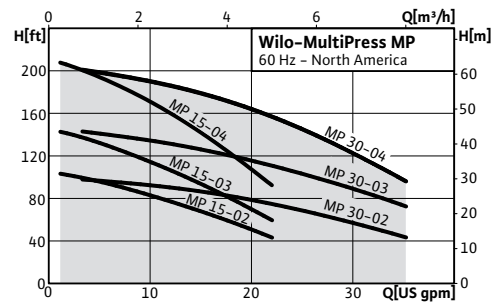


High pressure centrifugal pumps

Wilo-MultiPress MP (North America)



Series description



Pump series

Wilo-MultiPress MP 15..., 30..

Design

Non-self priming horizontal multistage centrifugal pump

Applications

- Residential Water Supply
- Pressure Boosting
- Irrigation
- Rainwater Collection Systems

Equipment and function

- Direct flange-mounted motor
- Thermal motor protection switch for single-phase AC motor (1~230V)

Technical data

- Available voltages 115/230 single phase, 208/230/460 three phase
- Max. inlet pressure 87 PSI (6 bar)
- Fluid temperature range 40 °F to 95 °F (5 °C to 35 °C)
- Max. ambient temperature 104 °F (40 °C)
- Max. operating pressure 145 PSI (10 bar)
- TEFC Motor Inclusion
- Connections on suction and discharge side NPTF

Special features/ Product advantages

- Low-noise
- Excellent Abrasion Resistance

Materials

- Pump housing: 304 SS (stainless steel 1.4301)
- Impeller: Noryl)
- Shaft: stainless steel 1.4028 / 14404 (1.1 kW)
- Mechanical seal: ceramic/carbon
- Stage chambers: Noryl
- Seals: NBR

Scope of delivery

- Pump
- Installation and operating instructions

High pressure centrifugal pumps

Wilo-MultiPress MP (North America)

Equipment/Function

Wilo-MultiPress MP

Hydraulic data	
Self-priming	–
Non-self-priming	•
Single-stage centrifugal pump	–
Multistage centrifugal pump	•
Close-coupled motor	•
Motor	
Three phase (208–230, 460V)	•
Single phase (115, 230 V)	•
Connection cable (1~ version)	–
On/Off switch (for AC version)	–
Capacitor (1~ version)	•
Thermal motor protection switch (1~ version)	•
Equipment/scope of delivery	
Suction-side and pressure-side PVC screwed connections	–
Support frame	–
Installation and operating instructions	•

• = available, – = not available

High pressure centrifugal pumps

Wilco-MultiPress MP (North America)



Variants overview Wilco-MultiPress MP

Wilco-MultiPress MP	
Material	
Pump casing	1.4301 (AISI 304)
Impellers	Noryl
Shaft	1.4301 (AISI 304) XC38 1.0501 (AISI 1035)/1.4301 (AISI 304); for 1.45 HP, 1~ and 2.08 HP
Mechanical seal	Carbon/Ceramic
Stage chambers	Noryl
Seals	NBR
Hydraulic connection	
Discharge side [NPT]	1"
Suction side [NPT]	1" & 1¼"
Motor versions	
Individual motors	–
1 ~ 115 V, 60 Hz	•
1 ~ 230 V, 60 Hz	•
3 ~ 208 V, 60 Hz	•
3 ~ 230 V, 60 Hz	•
3 ~ 460 V, 60 Hz	•
3 ~ 575 V, 60 Hz	–
Ex-protected motors	–
Motors with resistors (PTC)	–
UL certified	•
CSA certified	•
Thermal motor protection (WSK)	–
Insulation class	F

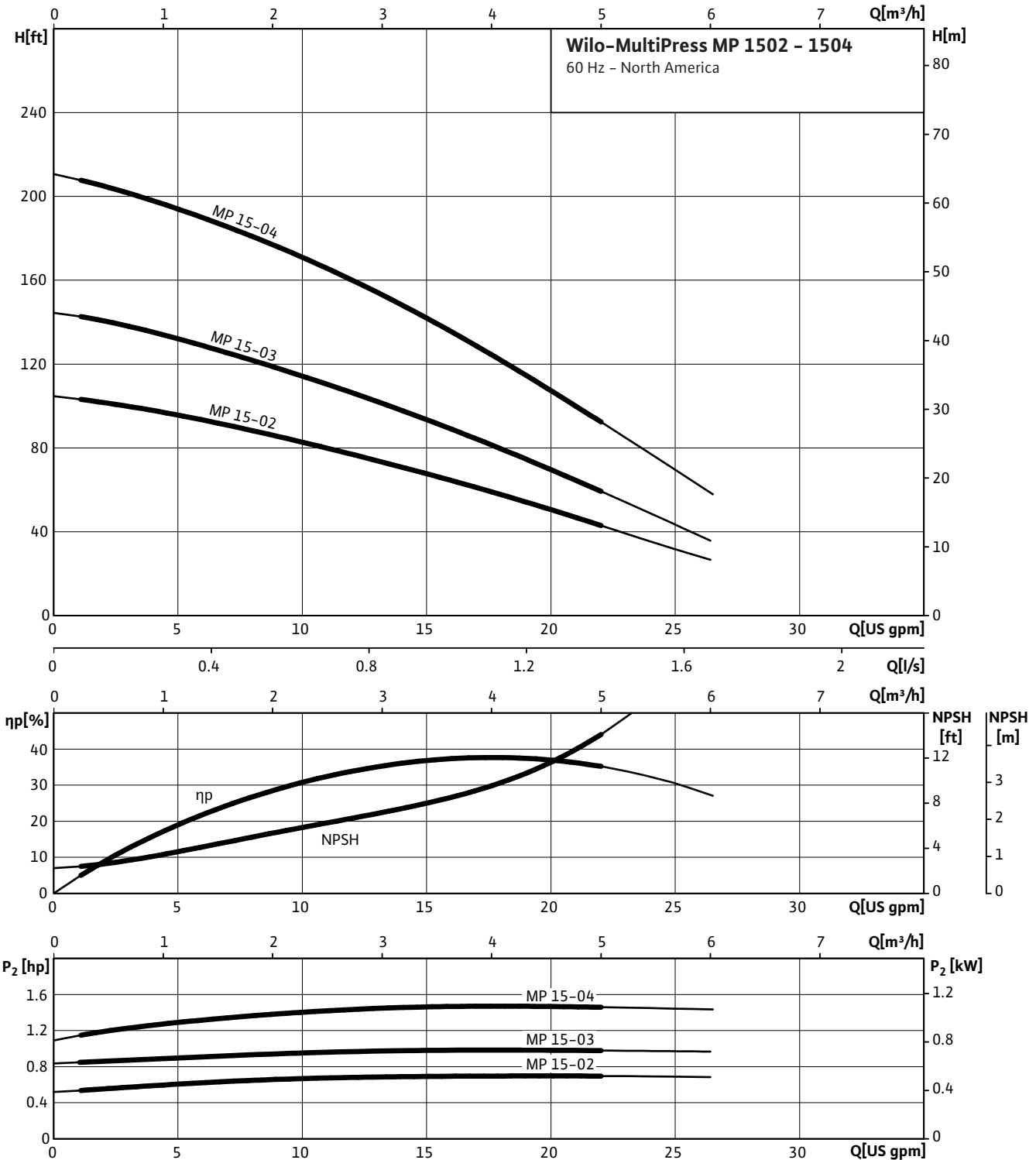
• = available, – = not available

High pressure centrifugal pumps

Wilo-MultiPress MP (North America)

Pump curves Wilo-MultiPress MP

Wilo-MultiPress MP 15...



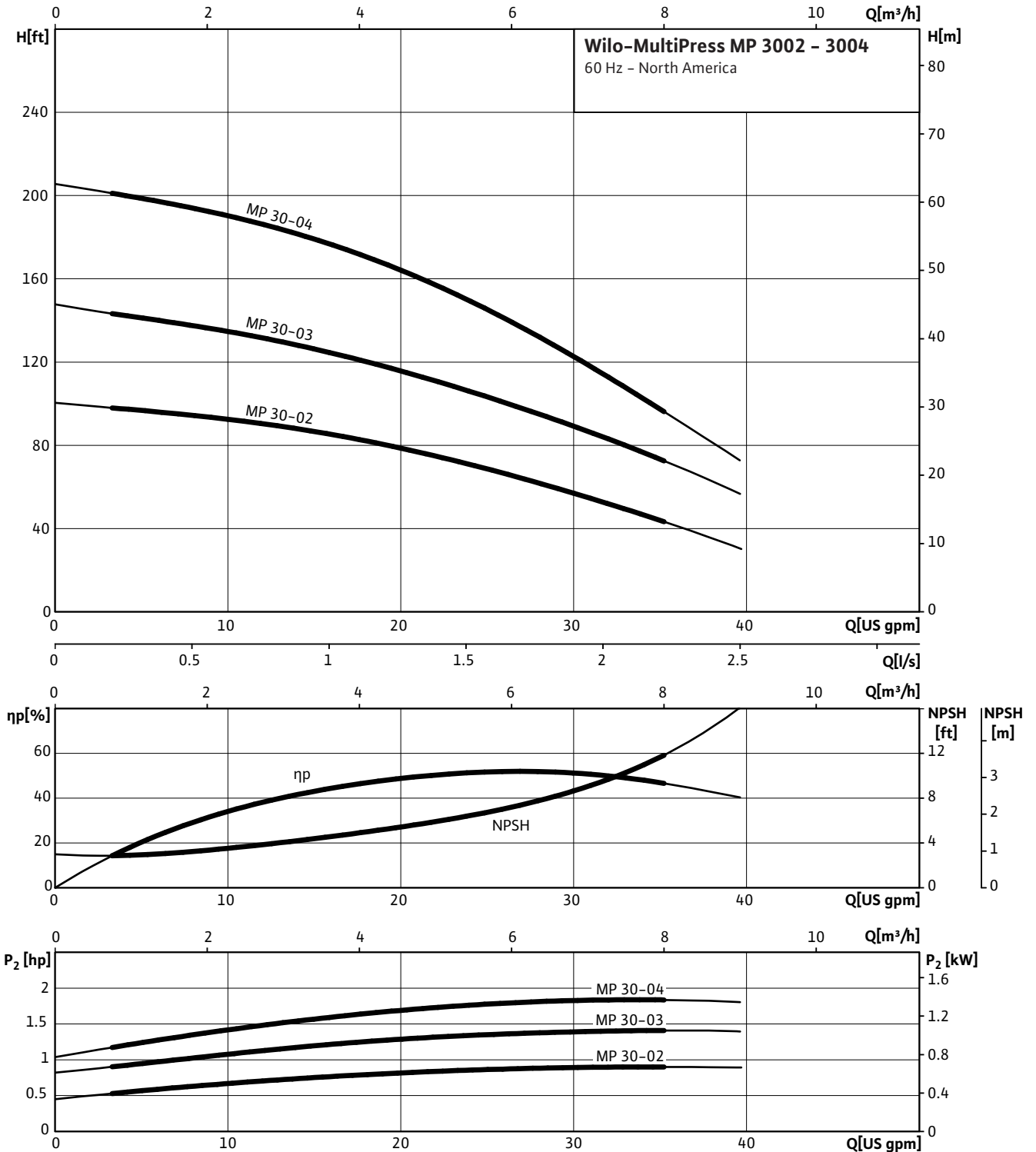
High pressure centrifugal pumps

Wilo-MultiPress MP (North America)



Pump curves Wilo-MultiPress MP

Wilo-MultiPress MP 30...



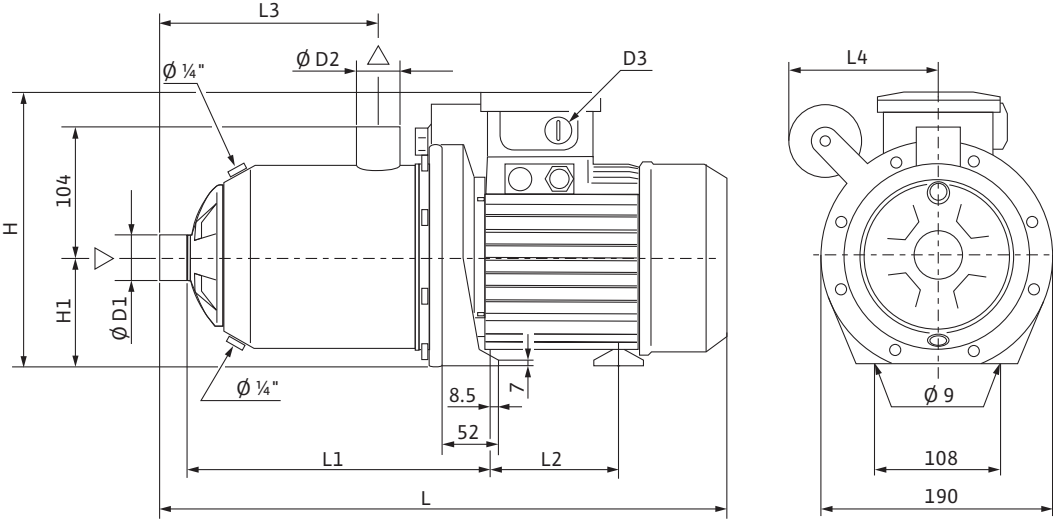
High pressure centrifugal pumps

Wilo-MultiPress MP (North America)

Dimension drawing Wilo-MultiPress MP

Dimension drawing

Wilo-MultiPress MP 15..., 30...



High pressure centrifugal pumps

Wilo-MultiPress MP (North America)



Dimensions, weights Wilo-MultiPress MP

Dimensions, weights

Wilo- ...	Phase	Dimensions										Weight	
	–	D1	D2	D3	H	H1	L	L1	L2	L3	L4	–	
	[~]	[NPT]			[mm]								[kg]
MP15-02	1	1"	1"	½"	215	90	375	204	95	157.5	115	9.0	19.8
MP15-03	3	1"	1"	½"	215	90	375	204	95	157.5	–	9.0	19.8
MP15-03	1	1"	1"	½"	215	90	375	204	95	157.5	115	10.0	22.0
MP15-04	3	1"	1"	½"	215	90	423	252	95	157.5	–	10.9	24.0
MP15-04	1	1"	1"	½"	228	90	448	252	104	157.5	125	11.8	26.0
MP30-02	3	1¼"	1"	½"	215	90	375	204	95	157.5	–	8.9	19.6
MP30-02	1	1¼"	1"	½"	215	90	375	204	95	157.5	115	9.8	21.6
MP30-03	3	1¼"	1"	½"	215	90	375	204	95	157.5	–	11.4	25.1
MP30-03	1	1¼"	1"	½"	228	90	400	204	104	157.5	125	12.1	26.7
MP30-04	3	1¼"	1"	½"	228	90	448	252	104	157.5	–	12.7	28.0
MP30-04	1	1¼"	1"	½"	228	90	448	252	104	157.5	125	13.6	30.0

Dimensions, weights

Wilo- ...	Phase	Dimensions										Weight	
	–	D1	D2	D3	H	H1	L	L1	L2	L3	L4	–	
	[~]	[NPT]			[Inch]								[kg]
MP15-02	1	1"	1"	½"	8 ½	3 ½	14 ¾	8	3 ¾	4 5/16	4 ½	9.0	19.8
MP15-03	3	1"	1"	½"	8 ½	3 ½	14 ¾	8	3 ¾	4 5/16	–	9.0	19.8
MP15-03	1	1"	1"	½"	8 ½	3 ½	14 ¾	8	3 ¾	4 5/16	4 ½	10.0	22.0
MP15-04	3	1"	1"	½"	8 ½	3 ½	16 5/8	9 7/8	3 ¾	6 3/16	–	10.9	24.0
MP15-04	1	1"	1"	½"	9	3 ½	17 5/8	9 7/8	4 1/8	6 3/16	4 7/8	11.8	26.0
MP30-02	3	1¼"	1"	½"	8 ½	3 ½	14 ¾	8	3 ¾	4 5/16	–	8.9	19.6
MP30-02	1	1¼"	1"	½"	8 ½	3 ½	14 ¾	8	3 ¾	4 5/16	4 ½	9.8	21.6
MP30-03	3	1¼"	1"	½"	8 ½	3 ½	14 ¾	8	3 ¾	4 5/16	–	11.4	25.1
MP30-03	1	1¼"	1"	½"	9	3 ½	14 ¾	8	4 1/8	4 5/16	4 7/8	12.1	26.7
MP30-04	3	1¼"	1"	½"	9	3 ½	17 5/8	9 7/8	4 1/8	6 3/16	–	12.7	28.0
MP30-04	1	1¼"	1"	½"	9	3 ½	17 5/8	9 7/8	4 1/8	6 3/16	4 7/8	13.6	30.0

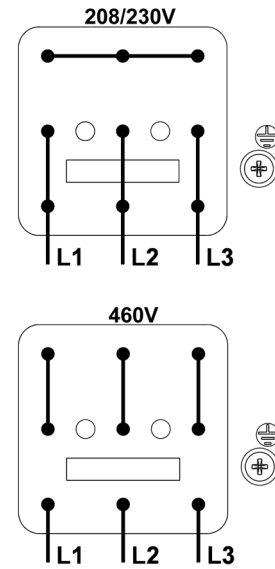
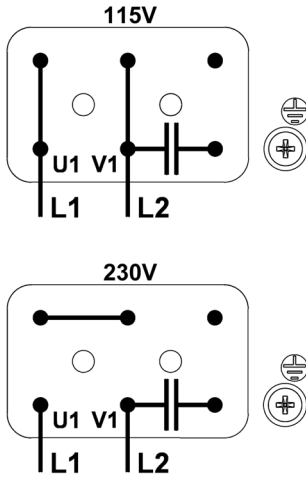
High pressure centrifugal pumps

Wilo-MultiPress MP (North America)

Wiring Diagram, Motor Data Wilo-MultiPress MP

Wiring diagram 1~

Wiring diagram 3~



Motor data

Wilo- ...	P ₂		Phase	Current A (C)	Voltage V (A)
	[HP]	[kW]	-	I	U
			[~]	[A]	[V]
MP15-02	0.74	0.55	1	7.8	115
MP15-02	0.74	0.55	1	4	230
MP15-03	1.0	0.75	3	3.7/3.7	208/230
MP15-03	1.0	0.75	3	1.85	460
MP15-03	1.0	0.75	1	10.5	115
MP15-03	1.0	0.75	1	5.4	230
MP15-04	1.5	1.1	3	5.5/5.5	208/230
MP15-04	1.5	1.1	3	2.75	460
MP15-04	1.5	1.1	1	16.2	115
MP15-04	1.5	1.1	1	8.3	230
MP30-02	1.0	0.75	3	3.7/3.7	208/230
MP30-02	1.0	0.75	3	1.85	460
MP30-02	1.0	0.75	1	10.5	115
MP30-02	1.0	0.75	1	5.4	230
MP30-03	1.5	1.1	3	5.5/5.5	208/230
MP30-03	1.5	1.1	3	2.75	460
MP30-03	1.5	1.1	1	16.2	115
MP30-03	1.5	1.1	1	8.3	230

High pressure centrifugal pumps

Wilo-MultiPress MP (North America)



Wiring Diagram, Motor Data Wilo-MultiPress MP

Motor data

Wilo- ...	P ₂		Phase	Current A (C)	Voltage V (A)
			-	I	U
	[HP]	[kW]	[~]	[A]	[V]
MP30-04	2.0	1.5	3	6.9/7.1	208/230
MP30-04	2.0	1.5	3	3.55	460
MP30-04	2.0	1.5	1	21.2	115
MP30-04	2.0	1.5	1	10.8	230